

**BALDOR® • RELIANCE** 

**Product Information Packet**

**ZDPM18025C-BV**

**25HP, 1800RPM, 3PH, 60HZ, 1852C, TEBC, FOOT,**

Part Detail							
Revision:	D	Status:	PRD/A	Change #:		Proprietary:	No
Type:	AC	Elec. Spec:	PM3926A	CD Diagram:	422927-001	Mfg Plant:	
Mech. Spec:		Layout:	617235-315	Poles:	04	Created Date:	04-09-2015
Base:		Eff. Date:	10-24-2019	Leads:			

Specs			
Catalog Number:	ZDPM18025C-BV		
Enclosure:	TEBC		
Frame:	FL1852C		
Frame Material:	Aluminum		
Output @ Frequency:	25.000 HP @ 60 HZ		
Synchronous Speed @ Frequency:	1800 RPM @ 60 HZ		
Voltage @ Frequency:	460.0 V @ 60 HZ		
Agency Approvals:	CCSA US		
Auxillary Box:	No Auxillary Box		
Base Indicator:	Rigid		
Bearing Grease Type:	No Grease		
Current @ Voltage:	26.600 A @ 460.0 V		
Duty Rating:	CONT		
Feedback Device:	TACHOMETER		
Frame Prefix:	FL		
Heater Indicator:	No Heater		
Insulation Class:	H		
Mounting Arrangement:	F3		

<b>Product Family:</b>	General Industrial		
<b>Pulley End Bearing Type:</b>	Ball		
<b>Pulley Face Code:</b>	C-Face		
<b>Shaft Ground Indicator:</b>	No Shaft Grounding		
<b>Shaft Rotation:</b>	Reversible		
<b>Motor Standards:</b>	NEMA		
<b>Thermal Device - Bearing:</b>	None		
<b>Thermal Device - Winding:</b>	Normally Closed Thermostat		

Nameplate 000613006NS												
	<b>DUTY</b>		<b>HP</b>		<b>RPM</b>		<b>AMPS</b>		<b>VOLTS</b>		<b>HZ</b>	
	CONT		25		1800		26.6		460		60	
	CONT		25		3000		25.4		460		100	
<b>CAT.NO.</b>	ZDPM18025C-BV				<b>SPEC. NO.</b>	P18M0504						
<b>SER.NO.</b>					<b>FR</b>	FL 1852C		<b>INSUL</b>	H			
<b>PH.</b>	3		<b>MAX SAFE SPEED</b>	7200			<b>AMB.</b>	40			<b>MIN. AMB.</b>	-25
<b>DESIGN NO.</b>	PM3926A				<b>TYPE</b>							
<b>S.F.</b>	1.0				<b>D.E. BRG.</b>	45BC02JPP30A						
<b>ENCL MOD</b>					<b>O.D.E. BRG.</b>	35BC02JPP30A						

Nameplate 000692000VY		
IS <input type="text"/>	MEAS OPEN CIRCUIT VOLTAGE VOLTS AT <input type="text"/>	RPM.
EXCEED <input type="text"/> 80	MTR PH CURRENT SHOULD NOT	AMPS RMS PEAK TO
AVOID DEMAGNETIZATION		

Parts List		
Part Number	Description	Quantity
WS286791	WS P18M0504	1.000 EA
RA282999	RA P18M0504	1.000 EA
000692000FP	NP, WARNING LIFT INSTRUCTIONS	1.000 EA
418057747A	METAL FASTENER	8.000 EA
000613006NS	RPM AC WITH CERTIFIED LOGO	1.000 EA
000692000NH	LABEL DIRECTION AIR FL	1.000 EA
000692000VY	PERMANENT MAGNET MOTOR NAMEPLATE	1.000 EA
411716004A	219P039 - 219P039 - LA	1.000 EA
418056062A	NP AC BLOWER DATA	1.000 EA
422927001	C/D LABEL	1.000 EA
032003200CB	FL1852 THRU BOLT	4.000 EA
033102012AG	HXNUT LEAD CONN	4.000 EA
034017012AB	LCKW 1/4 STD. PLATED 034017012AF	4.000 EA
036000050JB	M8-1,25 X 50 MHHCS	2.000 EA
400638001D	WAVEN ( Customer number 43699)	1.000 EA
411693051B	LUG, LIFTING	2.000 EA
HA4054	SHORT T-DRAIN FITTING, .125" N.P.T.	1.000 EA
HA4054	SHORT T-DRAIN FITTING, .125" N.P.T.	1.000 EA
807580002BAA	BRKT,DE,FL181 807580-1WCC	1.000 EA
807580003AAB	BRKT,ODE180AC 807580-1WCC	1.000 EA
036000012HB	HHCS M6X12MM LONG PLATED	2.000 EA
036000045JB	M8-1.25 X 45MM HXHCS	4.000 EA
418010006A	CAST,MPLATE,180-280,EX1,7BY	1.000 EA
036000012HB	HHCS M6X12MM LONG PLATED	3.000 EA

<b>Parts List (continued)</b>		
<b>Part Number</b>	<b>Description</b>	<b>Quantity</b>
036620009AB	M8 EXTERNAL LK WASHER	1.000 EA
036310010FB	RHMS TERM/BLK MTG	2.000 EA
418057461B	PLATE, ENCODER	1.000 EA
036320008CB	M2.5 SCREW	4.000 EA
036500006AB	M4-0.7 METRIC HEX NUT	2.000 EA
065530000B	GASK	1.000 EA
075451000A	COVER, CONDUIT BOX	1.000 EA
406673002C	.75 CAP PLUG	2.000 EA
415000103G	TLUG	1.000 EA
422962051BW	STUB SHAFT	1.000 EA
800123015A	RESOLVER DYNAPAR	1.000 EA
417733001A	GSK C/ BOX BASE	2.000 EA
418018074A	GROUND LABEL G100 METRIC 160 D.C.	1.000 EA
418057260A	SCREW PHILLIPS PAN HD	4.000 EA
418057373A	SCREW SHEET METAL	3.000 EA
613450011A	BLMTR SQ AC 210	1.000 EA
706320003A	CONDUIT BOX	1.000 EA
807505050B	SHROUD, FAN/BLOWER	1.000 EA
807505051A	GRILL, FAN COVER	1.000 EA
418057243A	GROOVE PIN	1.000 EA
807504052D	FL180 FRAME	1.000 EA
000640000P	TAG WINDING THERMOST	1.000 EA
004824007K	SPECIAL PAINT	0.100 EA
034180022FA	KEY 3/8X3/8X2-3/4 L	1.000 EA



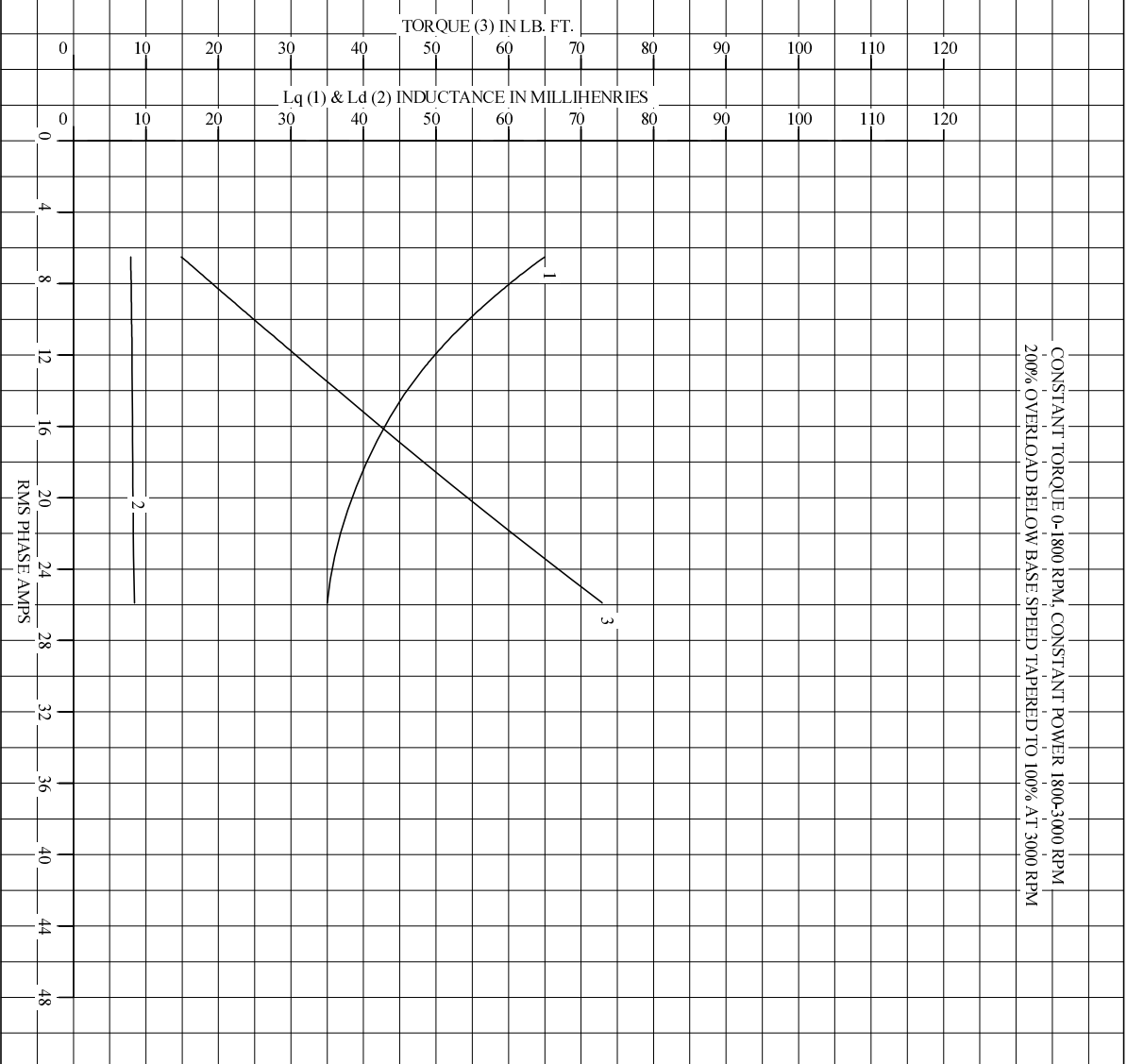
S.O. 0  
 FRAME F11852  
 HP 25  
 BASE SPEED 1800  
 PHASE/HERTZ 3/60

VOLTS 460  
 AMPS 25.9  
 DUTY CONT  
 S.F. 1.0  
 AMB °C/INSUL 40/H

TYPE IPM  
 ENCLOSURE TEBC  
 MAX SAFE RPM 7200  
 WK<sup>2</sup> (Lb-Ft<sup>2</sup>) .96  
 MAX INSTANTANEOUS OVERLOAD AMPS 77.7

STATOR RES. @ 25 °C .3729  
 OHMS (BETWEEN LINES)

**Lq, Ld, & Torque vs. RMS Phase Amps**



REMARKS : TYPICAL DATA

**BALDOR**

DR. BY	CD	IPM MOTOR
CK. BY	KM	PERFORMANCE
APP. BY	KM	DATA
DATE	4/23/10	ISSUE DATE
		PM3926A
		4/23/10

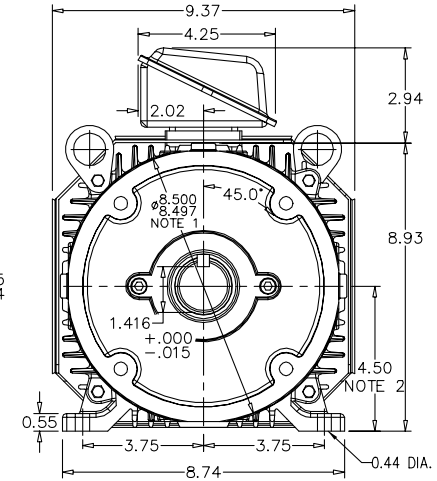
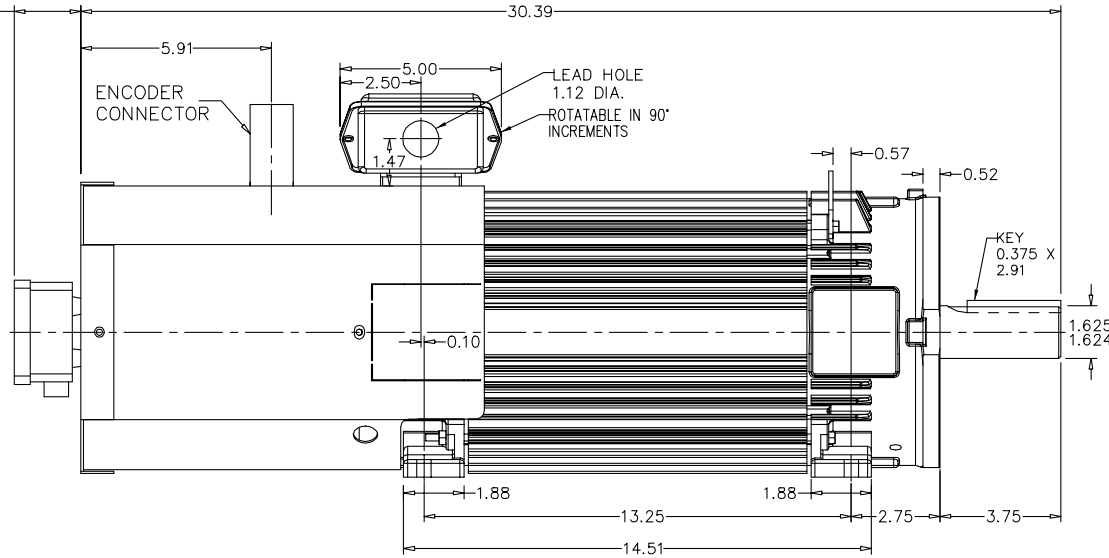
617235-315

RPM-AC FINNED FRAME VARIABLE SPEED ALTERNATING  
CURRENT MOTOR  
FL1852CZ

ENCLOSURE: TOTALLY ENCLOSED  
MOUNTING: FOOT / NEMA 250TC C-FACE  
DRIVE METHOD: COUPLED OR BELTED

COOLING: BLOWER COOLED  
ACCESSORIES: ENCODER

2.07  
MIN.  
AIR  
SPACE



NOTE 1: C-FACE & TACHOMETER MOUNTING  
1/2-13 TAP, 1.00 DEEP, ON A 7.25 DIA. BOLT CIRCLE

NOTE 2: FACE RUNOUT AND ECCENTRICITY 0.004 MAX. T.I.R.  
SHAFT HEIGHT WILL NOT BE EXCEEDED  
SHIMS UP TO 0.03 INCHES IN THICKNESS ARE USUALLY  
REQUIRED FOR COUPLED OR GREARED MACHINES

TERMINAL BOX MAY BE LOCATED F1 OR F2 IF SPECIFIED  
40 AMP STEEL TERMINAL BOX SHOWN  
REFER TO 616779-50 FOR SPECIFIED TERMINAL BOX DIMENSIONS

MOTOR WEIGHT: 209 LBS. (MAY VARY 15%)  
DIMENSIONS ARE IN INCHES SCALE: 1.00

CUSTOMER IS RESPONSIBLE FOR DETERMINING THAT THIS PRODUCT WILL PERFORM SUITABLY IN THE INTENDED APPLICATION.

REV. DESC: CHANGE TO GENERIC CONNECTOR AND ENCODER	VERSION: 03	TDR: 000000984829
REV. LTR: C	REVISED: 09:39:14 06/27/2016	BY: RGGWT
FILE: \RGG\00025\785		
MTL: -		

**BALDOR**

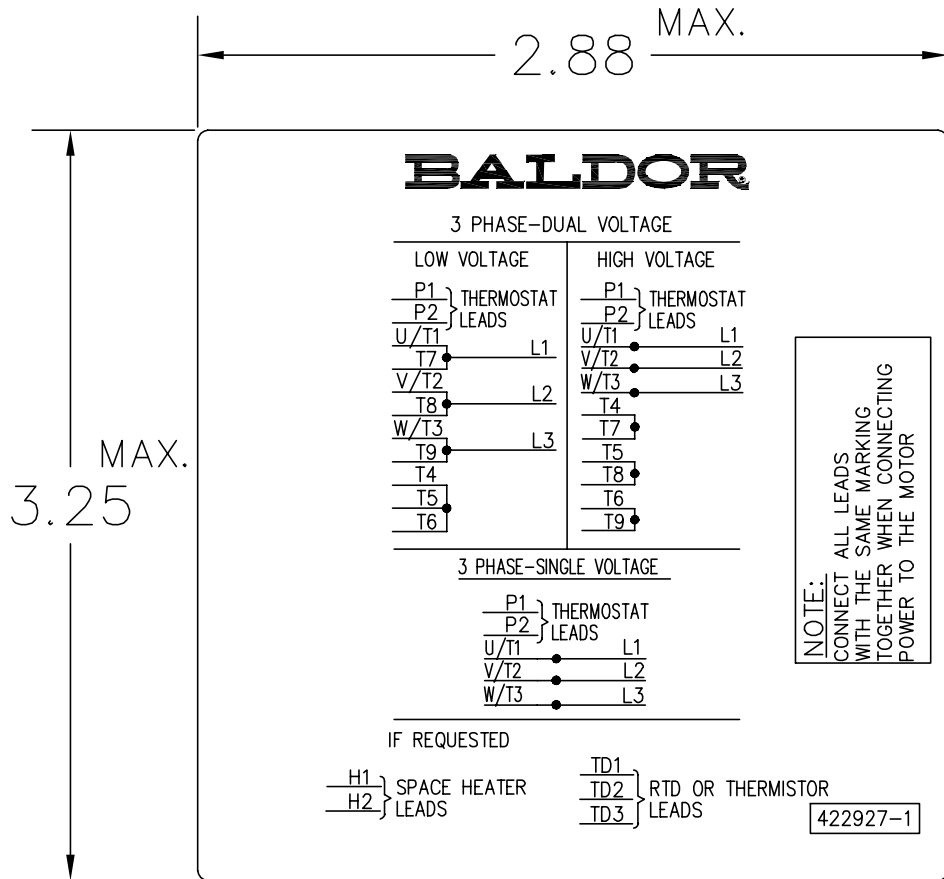
DIM SHT,RPMAC,TEBC,FL1852CZ,250TC,ENCODER

SH 1 of 1

617235-315



422927-001



NOTE:  
DATA TO BE SIZED  
SO THAT IT FITS INTO  
MATERIAL DECAL  
DIMENSIONS. MAKE  
LETTERS & NUMBERS  
AS LARGE AS POSSIBLE.

MATERIAL: CERAMATIC DGF-P4  
PERMA GRIP ADHESIVE

ALL LETTERS, NUMBERS  
AND LINES TO BE BLACK  
ON WHITE BACKGROUND.

422927-001

REV. DESC: CHANGE BACKGROUND COLOR FROM GOLD TO WHITE		
REV. LTR: B	VERSION: 02	TDR: 000000788708
FILE: \RGG\00000\203	REVISED: 08:09:29 03/04/2013	
MTL: -	BY: RGGWT	

**BALDOR**

EXTERNAL CONNECTION LABEL

SH 1 of 1

Marketing maintained PDF of MN406:

<http://www.baldor.com/support/Literature/Load.ashx/MN406?ManNumber=MN406>